

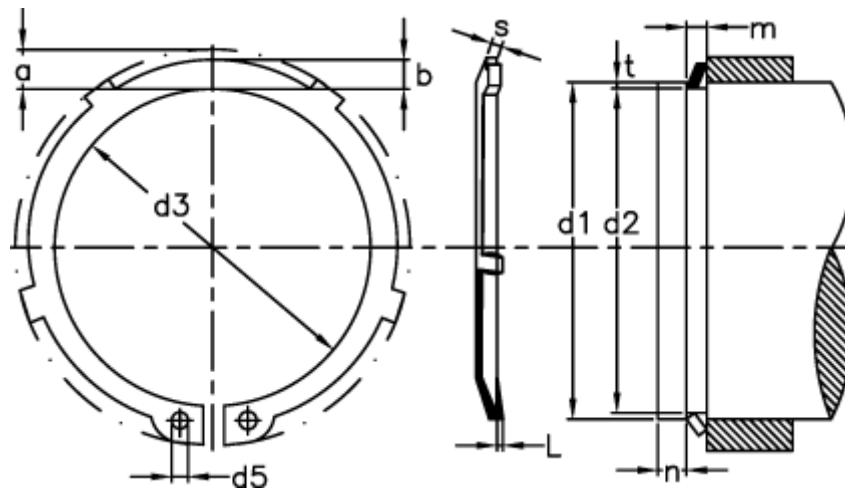
# Data Sheet



Article number: 0120072

Description: Retaining ring AL 55X2  
Spring steel

## Measures



a max	= 8.2	FL max kN	= 1.32	s	= 2.00
b	= 5.4	FN kN	= 42.00	tol	= -0.30
C kN/mm	= 2.04	FRg kN	= 11.40	tol	= +0,46 -1,10
d1	= 55	FR kN	= 71.4	u	= 0.15
d2	= 52.0	g	= 2.5		
d3	= 50.8	L min	= 0.80		
d5 min	= 2.5	m min	= 2.15		
Description	= AL 55	Nominal drive	= 4.5		